

FINGERPRINT TIME ATTENDANCE WITH COLOR LCD DISPLAY

HPS-900U



HPS-900U



The back



The right



Reset
USB



Mini-USB
Power (DC2V)
TCP/IP



Accessories

Features

- Composite algorithm system with high speed operating.
- Adopt color TFT Display, make menu with high-definition graphical user interfaces.
- Embedded LINUX system, easy to integrate into various system.
- USB disk to upload and download data conveniently.
- Save data during power outage.

HPS Solutions

80/67 Krung Thep Kreet Rd., Sapan Suang Bangkok 10250

Tel Support : +662 184 9117-8

Tel Sale : +662 184 9127-8

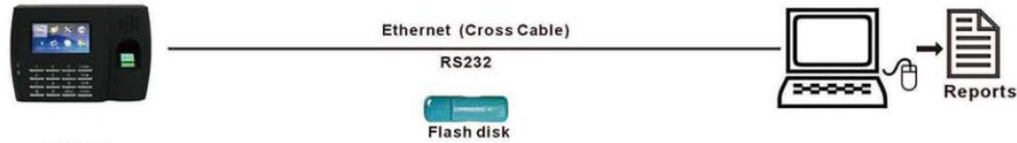
Website : www.hpsmatrix.com



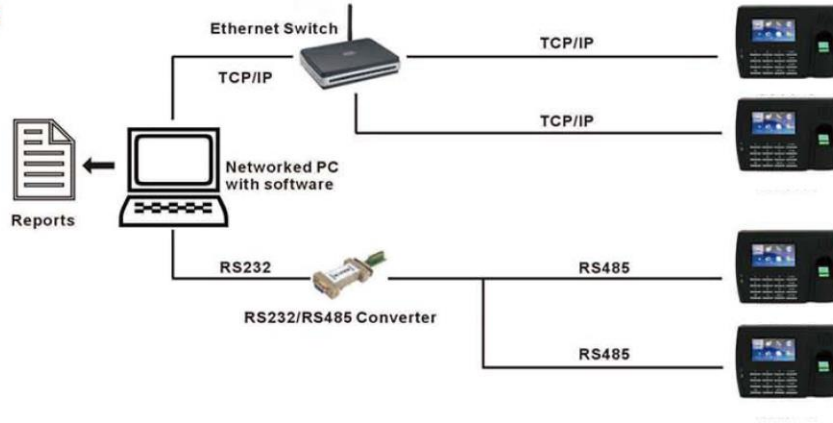
FINGERPRINT TIME ATTENDANCE WITH COLOR LCD DISPLAY

SKETCH DIAGRAM

Standalone



Network



SPECIFICATIONS

LCD Display

3.5" TFT high-definition graphical interface

Speaker

Voice prompt (language can be selected)

Capacity

Fingerprint: 3,000 Logs: 100,000

Verification

Verification speed (1:1) ≤ 0.5s

Identification speed (1:1) ≤ 1s

Identification

FRR ≤ 0.01% FAR ≤ 0.0001%

Attendance status

Check in/out, OT in/out, Break in/out

Communications

TCP/IP, RS232/485, USB Host/Client

Language

Multi language, English, French, Spanish, Arabic, Turkish, Portuguese, Czech, Hebrew, Slavic, Vietnamese etc.,

for more than 40 languages can be selected

Environment

Operation temperature: 0°C-45°C

Operation humidity: 20%-80%

Power Supply

110/220 VAC-5VDC 3A

Machine size

18(L)*12.5(W)*5(H)cm

Package info.

Unit packing: 28*23*10cm Carton packing: 50*30*30cm

Real weight: 1.3Kg Volume weight: 1.5Kg

Function support

3" TFT high-definition graphical interface; Scheduled bell; Workcode; DST; SMS; Webserver; Auto status

Customize Function

ID card reader; Mifare card reader; Wifi module; Flash disk 2GB; Printer output; 9-PIN ID; external bell connection

